



INSTALLATION INSTRUCTIONS Storm Shield 4

FOR NON-FLUID BACKFILL ONLY

1: Dig a hole Approximately 12 ft. long, 12 ft. wide and 6 ft. 3 in. deep sloping the dirt to fit the stairs.

2: Insert 2 each 2" diameter schedule 40 steel pipes 10 ft. Long or equivalent into the pipe tubes on the bottom of the shelter. Place in hole. Make sure the shelter is level. Place enough backfill in the hole to bring grade up to the top of the steel pipes. Place the Anchor Mats over the pipes on both sides of the tornado shelter.

3: Double check to make sure the shelter is level. Slowly backfill with clean fill dirt. Tamp pack the dirt firmly around the sides of "The Storm Shield" tornado shelter being careful not to leave any air-void pockets around or beneath the shelter.* Firm Tamping of the backfill is required over the Anchor Mats or the unit will float out of the ground.

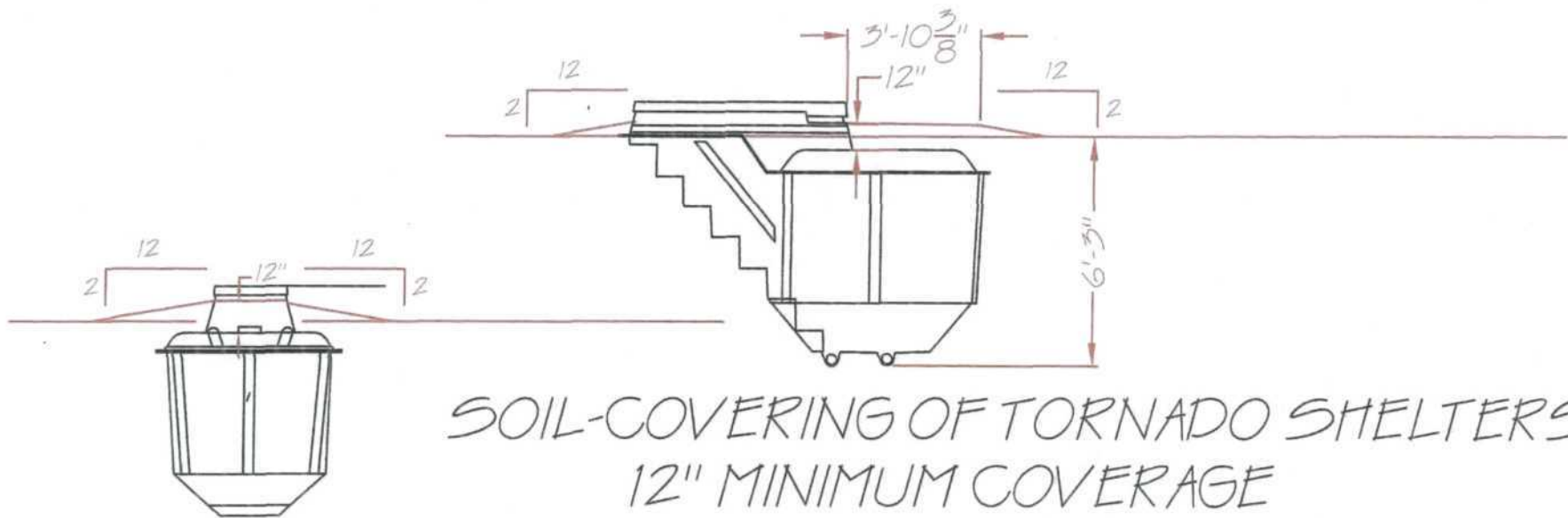
*Special considerations and extra caution should be given to any mechanical tamping of the backfill. Damage to the shelter can result from excessive hydraulic pressure around the Fiberglass shelter body. **Mechanical tamping of backfill over the top of the shelter will cause damage.** Backfill to a depth of 8" to 10" with fill dirt over the top of the shelter body.

4: Hand fill topsoil for the remaining 2-4 inches. **Insure that water drains away from the door opening maintaining a drop not more than 6 inches in 3 feet [2:12 slope] for at least 3 feet outside the perimeter of the shelter body.**

5: Allow backfill to settle for several days. Then, add any additional soil prior to landscaping and planting of sod.



Storm Shield
Mfg. by Containment Systems, Inc
921 Monroe Street
Paducah, KY 42002
Phone/Fax: 270-575-9804
Toll Free: 877-575-3059



SOIL-COVERING OF TORNADO SHELTERS
 12" MINIMUM COVERAGE

